


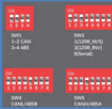

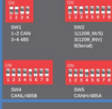

## SOL 5100/5100S/2400 Inverter Connection Instruction

No	Inverter Brand	Inverter type	Protocol type	Batt DIP settings	DIP Pics	Inverter Batt settings	Remark
1		Low Voltage High Voltage	CAN	SW1: 1&2 up SW4(CANL): 5up SW5(CANH): 4up		SOL	Please upgrade the inverter and battery firmware to the latest
2		Low Voltage High Voltage	CAN	SW1: 1&2 up SW4(CANL): 5up SW5(CANH): 4up		General	Please upgrade the inverter and battery firmware to the latest
3		Low Voltage High Voltage	CAN	SW1: 1&2 up SW4(CANL): 5up SW5(CANH): 4up		Lithium	Please upgrade the inverter and battery firmware to the latest
4		Low Voltage High Voltage	CAN	SW1: 1&2 up SW4(CANL): 5up SW5(CANH): 4up		SOL	Please upgrade the inverter and battery firmware to the latest
5		Low Voltage	CAN	SW:1&2up SW4(CANL): 5up SW5(CANH): 4up		2	Old luxpower (red switch) SW4(CANL): 3up SW5(CANH): 4up
6		Low Voltage	R S48 5	SW1: 3&4 up SW4(485B): 3up SW5(485A): 5up		LIB	Please upgrade the inverter and battery firmware to the latest
7		Low Voltage High Voltage	CAN	SW1: 1&2 up SW4(CANL): 5up SW5(CANH): 4up		Lithium	Please upgrade the inverter and battery firmware to the latest
8		Low Voltage High Voltage	CAN	SW1: 1&2 up SW4(CANL): 5up SW5(CANH): 4up		Li L52	Please upgrade the inverter and battery firmware to the latest
9		Low Voltage High Voltage	CAN	SW1: 1&2 up SW4(CANL): 5up SW5(CANH): 4up		SOL	Please upgrade the inverter and battery firmware to the latest
10		Low Voltage High Voltage	CAN	SW1: 1&2 up SW4(CANL): 5up SW5(CANH): 4up		Lithium	Please upgrade the inverter and battery firmware to the latest
11		Low Voltage	CAN	SW1: 1&2 up SW4(CANL): 5up SW5(CANH): 4up		SOL	Please upgrade the inverter and battery firmware to the latest
12		Low Voltage	R S48 5	SW1: 3&4 up SW4 (485B): 8up SW5 (485A) :7up		WOW	Please contact technical support to upgrade the battery to SRNE version
13		Low Voltage High Voltage	CAN	SW1: 1&2 up SW4(CANL): 5up SW5(CANH): 4up		Lithium	Please upgrade the inverter and battery firmware to the latest
14		Low Voltage High Voltage	CAN	SW1: 1&2 up SW4(CANL): 5up SW5(CANH): 4up		SOL	Please upgrade the inverter and battery firmware to the latest
15		Low Voltage	CAN	SW1: 1&2 up SW4 (CANL): 7up SW5 (CANH) :8up		P ylon	Please upgrade the inverter and battery firmware to the latest
16		Low Voltage	CAN	SW1: 1&2 up SW4(CANL): 5up SW5(CANH): 4up		Cerbo GX BMS	Please use Victron BMS cable and upgrade the inverter and battery firmware to the latest
17		Low Voltage High Voltage	CAN	SW1: 1&2 up SW4(CANL): 5up SW5(CANH): 4up		Default Non Standard	Please upgrade the inverter and battery firmware to the latest

Note: 1. Please follow the Internal communication settings table to set SW2&SW3 2. Please change the DIPs only when the battery is turned off



## SOL 5100/5100S/2400 Inverter Connection Instruction

No	Inverter Brand	Inverter type	Protocol type	Batt DIP settings	DIP Pics	Inverter Batt settings	Remark	Video Link
18		High Voltage	CAN	SW1: 1&2 up SW4(CANL): 5up SW5(CANH): 4up		SOL	Please upgrade the inverter and battery firmware to the latest	
19		High Voltage	CAN	SW1: 1&2 up SW4(CANL): 5up SW5(CANH): 4up		SOL	Please upgrade the inverter and battery firmware to the latest	
20	User-define Mode (Voltage Control)	Low Voltage	\	SW1: 1&2 up SW4(CANL): 5up SW5(CANH): 4up		User Define	charge voltage 53.8V float charge 53.6V cut off 48V equalization voltage 53.8V charging current 60A per battery discharge current 60A per battery	/

**Note:** 1. Please follow the Internal communication settings table to set SW2&SW3

2. Please change the DIPs only when the battery is turned off



## SOL-5100/5100S/2400 M/S Communication Settings

Battery QTY	M/S	SW2 Setting			SW3 Setting		
		Series connection	Parallel connection				
1	—		13		13		1
2	Master		138		13		2
	Slave		18		1		1
3	Master		138		13		3
	Slave 1		8		0		1
	Slave 2		18		1		2
4	Master		138		13		4
	Slave 1		8		0		1
	Slave 2		8		0		2
	Slave 3		18		1		3
5	Master		138		13		5
	Slave 1		8		0		1
	Slave 2		8		0		2
	Slave 3		8		0		3
	Slave 4		18		1		4
6	Master		138		13		6



## SOL-5100/5100S/2400 M/S Communication Settings

Battery QTY	M/S	SW2 Setting			SW3 Setting		
		Series connection	Parallel connection				
6	Slave 1	ON □ □ □ □ □ □ □ □ 1 2 3 4 5 6 7 8	8	ON □ □ □ □ □ □ □ □ 1 2 3 4 5 6 7 8	0		1
	Slave 2	ON □ □ □ □ □ □ □ □ 1 2 3 4 5 6 7 8	8	ON □ □ □ □ □ □ □ □ 1 2 3 4 5 6 7 8	0		2
	Slave 3	ON □ □ □ □ □ □ □ □ 1 2 3 4 5 6 7 8	8	ON □ □ □ □ □ □ □ □ 1 2 3 4 5 6 7 8	0		3
	Slave 4	ON □ □ □ □ □ □ □ □ 1 2 3 4 5 6 7 8	8	ON □ □ □ □ □ □ □ □ 1 2 3 4 5 6 7 8	0		4
	Slave 5	ON □ □ □ □ □ □ □ □ 1 2 3 4 5 6 7 8	18	ON □ □ □ □ □ □ □ □ 1 2 3 4 5 6 7 8	1		5
7	Master	ON □ □ □ □ □ □ □ □ 1 2 3 4 5 6 7 8	138	ON □ □ □ □ □ □ □ □ 1 2 3 4 5 6 7 8	13		7
	Slave 1	ON □ □ □ □ □ □ □ □ 1 2 3 4 5 6 7 8	8	ON □ □ □ □ □ □ □ □ 1 2 3 4 5 6 7 8	0		1
	Slave 2	ON □ □ □ □ □ □ □ □ 1 2 3 4 5 6 7 8	8	ON □ □ □ □ □ □ □ □ 1 2 3 4 5 6 7 8	0		2
	Slave 3	ON □ □ □ □ □ □ □ □ 1 2 3 4 5 6 7 8	8	ON □ □ □ □ □ □ □ □ 1 2 3 4 5 6 7 8	0		3
	Slave 4	ON □ □ □ □ □ □ □ □ 1 2 3 4 5 6 7 8	8	ON □ □ □ □ □ □ □ □ 1 2 3 4 5 6 7 8	0		4
	Slave 5	ON □ □ □ □ □ □ □ □ 1 2 3 4 5 6 7 8	8	ON □ □ □ □ □ □ □ □ 1 2 3 4 5 6 7 8	0		5
	Slave 6	ON □ □ □ □ □ □ □ □ 1 2 3 4 5 6 7 8	8	ON □ □ □ □ □ □ □ □ 1 2 3 4 5 6 7 8	1		6
8	Master	ON □ □ □ □ □ □ □ □ 1 2 3 4 5 6 7 8	138	ON □ □ □ □ □ □ □ □ 1 2 3 4 5 6 7 8	13		8
	Slave 1	ON □ □ □ □ □ □ □ □ 1 2 3 4 5 6 7 8	8	ON □ □ □ □ □ □ □ □ 1 2 3 4 5 6 7 8	0		1
	Slave 2	ON □ □ □ □ □ □ □ □ 1 2 3 4 5 6 7 8	8	ON □ □ □ □ □ □ □ □ 1 2 3 4 5 6 7 8	0		2
	Slave 3	ON □ □ □ □ □ □ □ □ 1 2 3 4 5 6 7 8	8	ON □ □ □ □ □ □ □ □ 1 2 3 4 5 6 7 8	0		3



## SOL-5100/5100S/2400 M/S Communication Settings

Battery QTY	M/S	SW2 Setting			SW3 Setting		
		Series connection	Parallel connection				
8	Slave 4	ON □ □ □ □ □ □ □ □ 1 2 3 4 5 6 7 8	8	ON □ □ □ □ □ □ □ □ 1 2 3 4 5 6 7 8	0		4
	Slave 5	ON □ □ □ □ □ □ □ □ 1 2 3 4 5 6 7 8	8	ON □ □ □ □ □ □ □ □ 1 2 3 4 5 6 7 8	0		5
	Slave 6	ON □ □ □ □ □ □ □ □ 1 2 3 4 5 6 7 8	8	ON □ □ □ □ □ □ □ □ 1 2 3 4 5 6 7 8	0		6
	Slave 7	ON □ □ □ □ □ □ □ □ 1 2 3 4 5 6 7 8	18	ON □ □ □ □ □ □ □ □ 1 2 3 4 5 6 7 8	1		7
9	Master	ON □ □ □ □ □ □ □ □ 1 2 3 4 5 6 7 8	138	ON □ □ □ □ □ □ □ □ 1 2 3 4 5 6 7 8	13		9
	Slave 1	ON □ □ □ □ □ □ □ □ 1 2 3 4 5 6 7 8	8	ON □ □ □ □ □ □ □ □ 1 2 3 4 5 6 7 8	0		1
	Slave 2	ON □ □ □ □ □ □ □ □ 1 2 3 4 5 6 7 8	8	ON □ □ □ □ □ □ □ □ 1 2 3 4 5 6 7 8	0		2
	Slave 3	ON □ □ □ □ □ □ □ □ 1 2 3 4 5 6 7 8	8	ON □ □ □ □ □ □ □ □ 1 2 3 4 5 6 7 8	0		3
	Slave 4	ON □ □ □ □ □ □ □ □ 1 2 3 4 5 6 7 8	8	ON □ □ □ □ □ □ □ □ 1 2 3 4 5 6 7 8	0		4
	Slave 5	ON □ □ □ □ □ □ □ □ 1 2 3 4 5 6 7 8	8	ON □ □ □ □ □ □ □ □ 1 2 3 4 5 6 7 8	0		5
	Slave 6	ON □ □ □ □ □ □ □ □ 1 2 3 4 5 6 7 8	8	ON □ □ □ □ □ □ □ □ 1 2 3 4 5 6 7 8	0		6
	Slave 7	ON □ □ □ □ □ □ □ □ 1 2 3 4 5 6 7 8	8	ON □ □ □ □ □ □ □ □ 1 2 3 4 5 6 7 8	0		7
	Slave 8	ON □ □ □ □ □ □ □ □ 1 2 3 4 5 6 7 8	18	ON □ □ □ □ □ □ □ □ 1 2 3 4 5 6 7 8	1		8