



# Nasıl kurulur solinved İnvertörler ve Lityum Piller

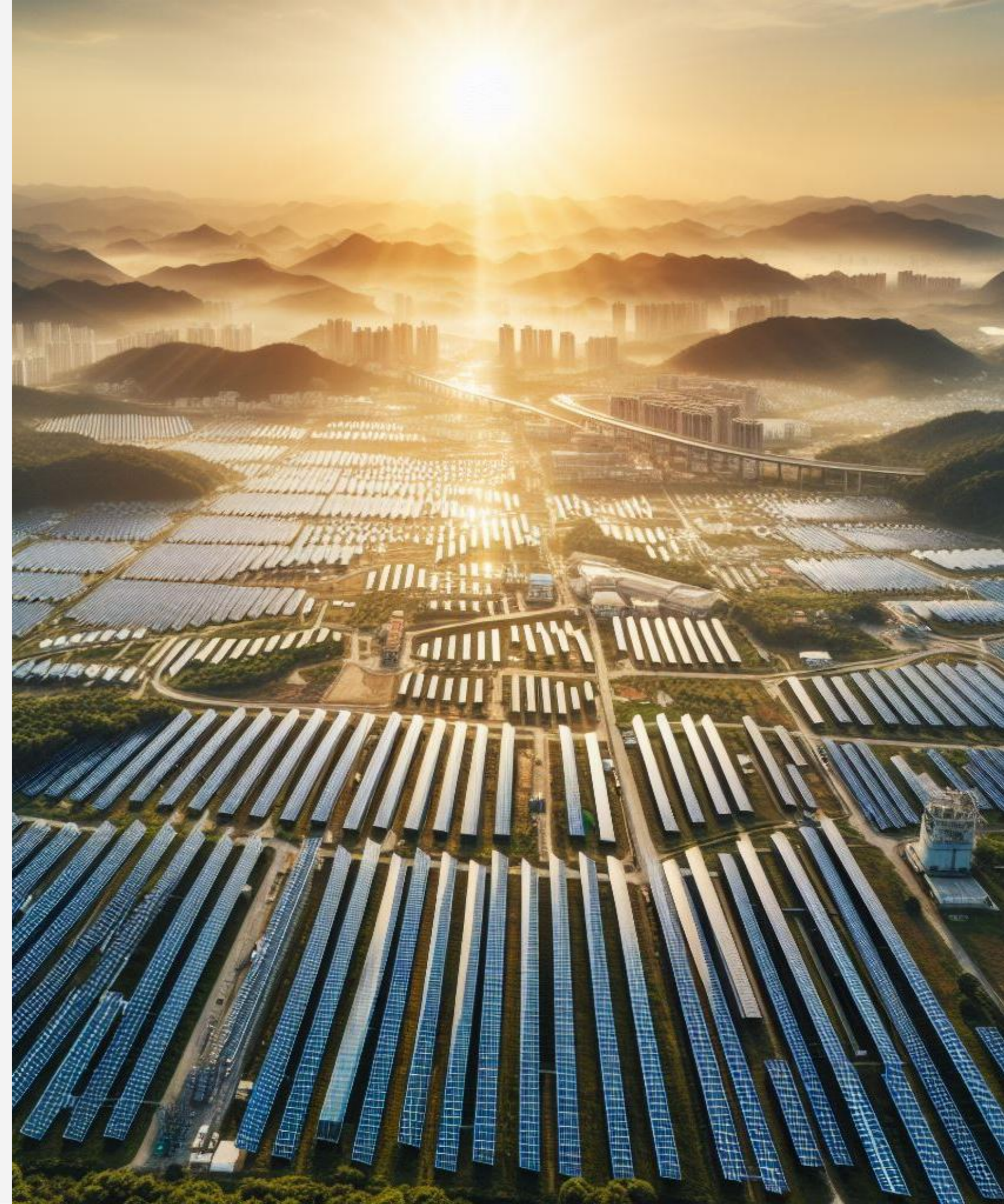
How to set up solinved

Smart Inverters & Lithium Batterys

# Şirket Profili

Solinved güneş enerjisi sektöründe yenilikçi çözümler sunmayı hedefleyen dinamik bir firmadır. 2013 yılında kurulan şirketimiz, enerji sektöründeki değişen ihtiyaçlara uyum sağlamak ve sürdürülebilir enerjiye olan talebi karşılamak amacıyla kurulmuştur.

Solinved is a dynamic company that aims to provide innovative solutions in the solar energy industry. Founded in 2013, our company was established to adapt to the changing needs in the energy sector and meet the demand for sustainable energy.



# SOL serisi akıllı BMS lityum piller

## SOL Replacement LFP Battery(12.8V/25.6V)



## SOL Smart LFP Battery (51.2V )



# ● Akıllı Invertör Serisi

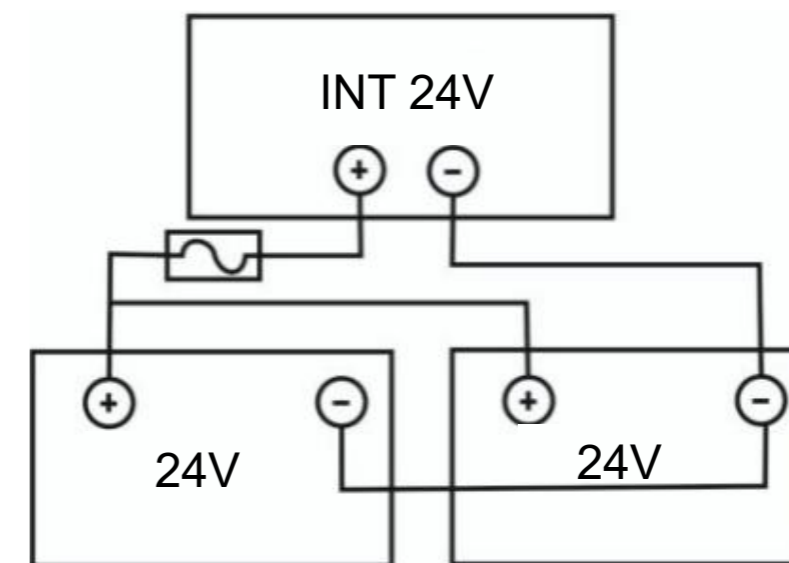
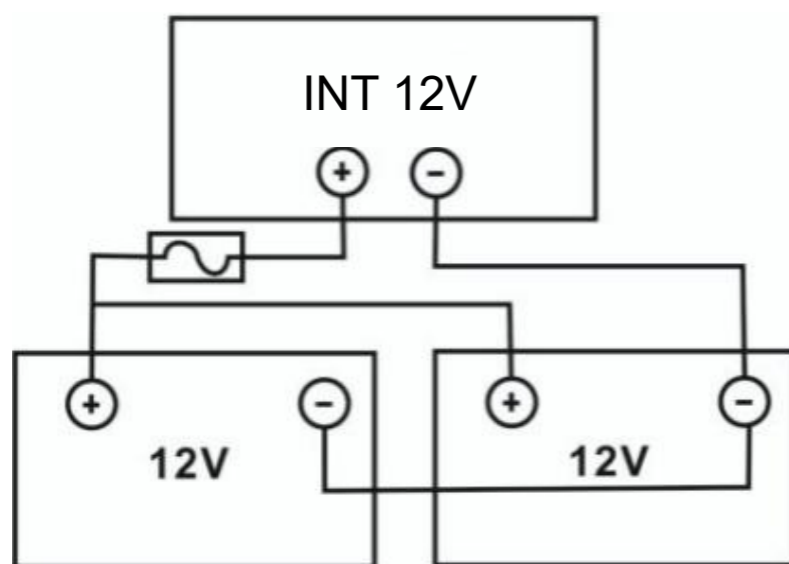
12V/24V Inverter



48V Inverter

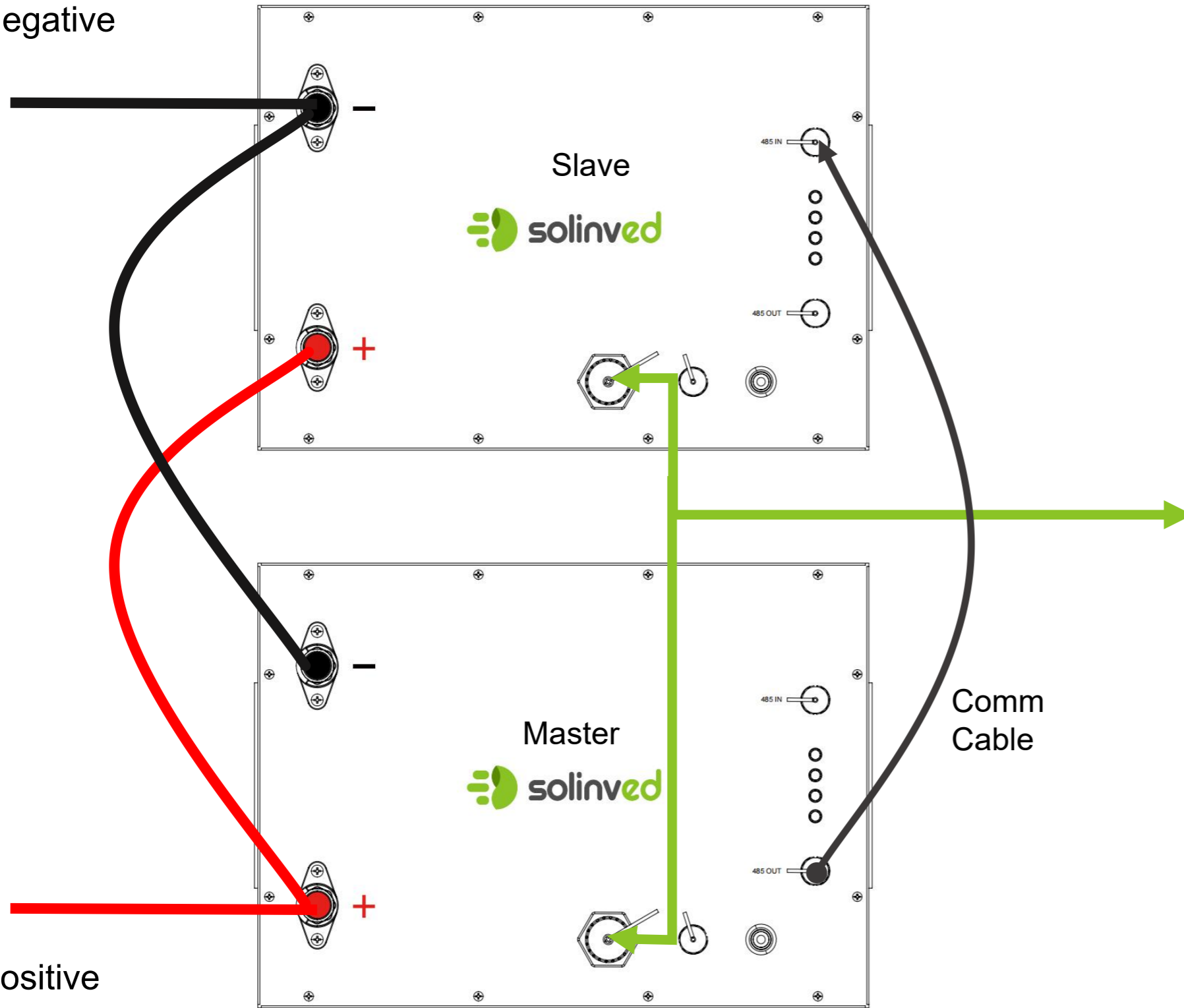


# ● 12V/24V Sistem kurulumu



# 12V/24V Sistem kurulumu

Main Negative



Main Positive

## Parallel dialing

BatteryQty	2pcs	3pcs	4pcs
Master	↑↓↓↓↑ ON 1 2 3 4 5 12345	↑↓↓↓↑ ON 1 2 3 4 5 12345	↑↓↓↓↑ ON 1 2 3 4 5 12345
S1	↑↑↓↓↑ ON 1 2 3 4 5 12345	↑↑↓↓↓ ON 1 2 3 4 5 12345	↑↑↓↓↓ ON 1 2 3 4 5 12345
S2		↑↓↑↓↑ ON 1 2 3 4 5 12345	↑↓↑↓↓ ON 1 2 3 4 5 12345
S3			↑↓↑↑↑ ON 1 2 3 4 5 12345

# ● 12V/24V Sistem kurulumu

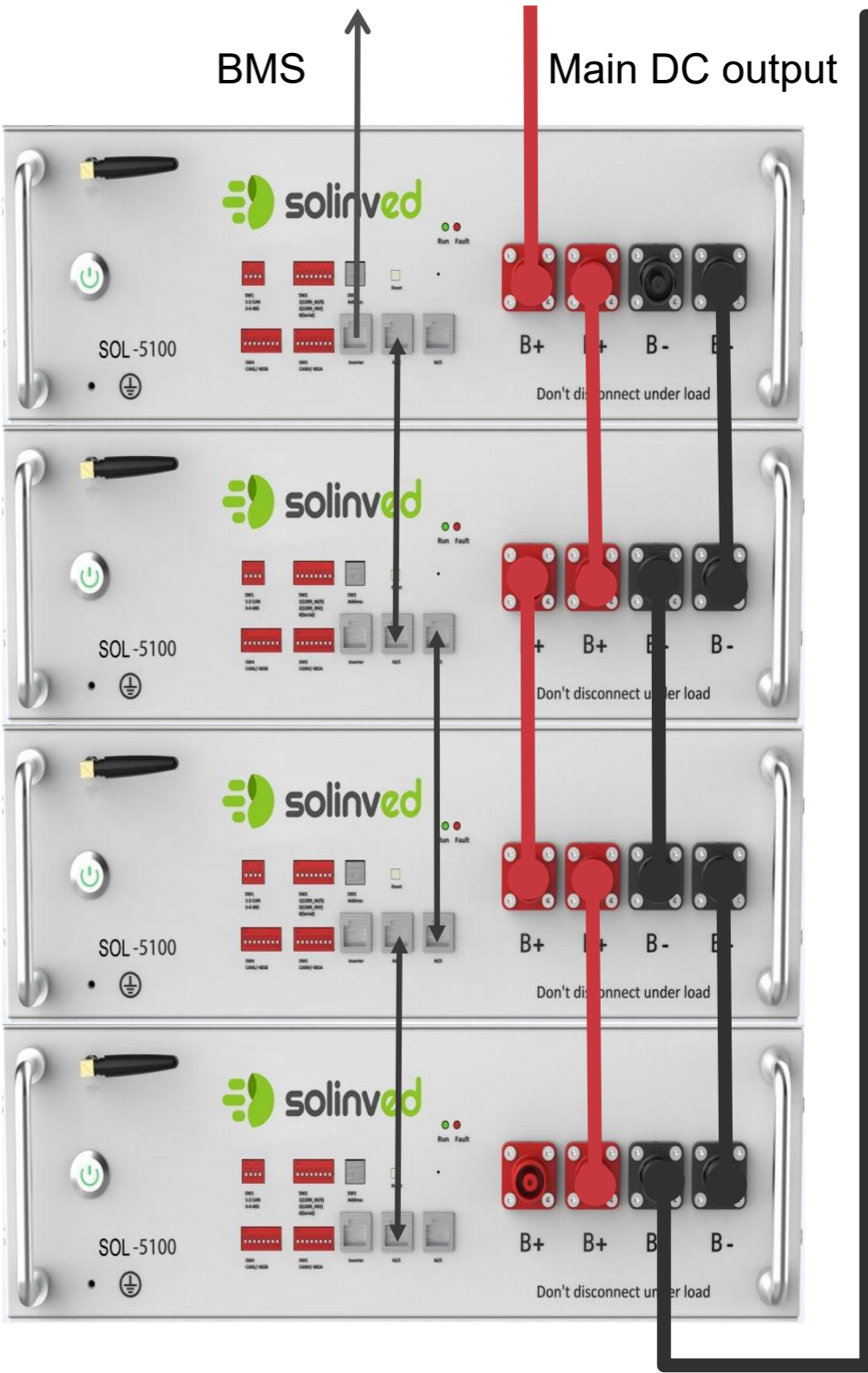


05 Battery Type	02 Max Charging current	26 Bulk Charge Voltage	27 Float Charge Voltage	28 Low cut off voltage
USE	50A Per battery MAX	14.2V	13.8V	12V



USE	50A Per battery MAX	28.4V	27.6V	24V
-----	------------------------	-------	-------	-----

# ● 48V Sistem kurulumu



# 48V Sistem kurulumu



Swiches	SW1	SW2	SW3	SW4	SW5
Definition	CAN/RS485 Setting	Master/Slave Parallel/Series Setting	Adress Settings	CANL/485B Setting	CALH/485A Setting

Battery QTY	M/S	SW2 Setting		SW3 Setting		
		Series connection	Parallel connection			
1	—	ON 1 2 3 4 5 6 7 8	13	ON 1 2 3 4 5 6 7 8	13	1
2	Master	ON 1 2 3 4 5 6 7 8	138	ON 1 2 3 4 5 6 7 8	13	2
	Slave	ON 1 2 3 4 5 6 7 8	18	ON 1 2 3 4 5 6 7 8	1	1
3	Master	ON 1 2 3 4 5 6 7 8	138	ON 1 2 3 4 5 6 7 8	13	3
	Slave 1	ON 1 2 3 4 5 6 7 8	8	ON 1 2 3 4 5 6 7 8	0	1
3	Slave 2	ON 1 2 3 4 5 6 7 8	18	ON 1 2 3 4 5 6 7 8	1	2
	4	Master	ON 1 2 3 4 5 6 7 8	138	ON 1 2 3 4 5 6 7 8	13
4	Slave 1	ON 1 2 3 4 5 6 7 8	8	ON 1 2 3 4 5 6 7 8	0	1
	Slave 2	ON 1 2 3 4 5 6 7 8	8	ON 1 2 3 4 5 6 7 8	0	2
4	Slave 3	ON 1 2 3 4 5 6 7 8	18	ON 1 2 3 4 5 6 7 8	1	3
	5	Master	ON 1 2 3 4 5 6 7 8	138	ON 1 2 3 4 5 6 7 8	13
5	Slave 1	ON 1 2 3 4 5 6 7 8	8	ON 1 2 3 4 5 6 7 8	0	1
	Slave 2	ON 1 2 3 4 5 6 7 8	8	ON 1 2 3 4 5 6 7 8	0	2
5	Slave 3	ON 1 2 3 4 5 6 7 8	8	ON 1 2 3 4 5 6 7 8	0	3
	Slave 4	ON 1 2 3 4 5 6 7 8	18	ON 1 2 3 4 5 6 7 8	1	4

# 48V Sistem kurulumu



05 Battery Type	Battery SW1(485)	Battery SW4(485B)	Battery SW5(485A)
LIB	3&4 up	2 up	1 up

03 Battery Type	Battery SW1(485)	Battery SW4(485B)	Battery SW4(485A)
LIB	3&4 up	3 up	5 up



**Çok teşekkür ederim!**